



DL7935

Multi-Purpose Encoders

General Description:

The **DL7935** are CMOS LSI encoders designed for use in remote control systems. They are capable of encoding 16-bit address codes and 8-bit data codes. Each address/data input can be set to one of the two logic states, 0 and 1. The DL7935 contain 64 keys (K1~K64), respectively. When one of the keys is triggered, the programmed address/data is transmitted together with the header bits via an IR (38KHz carrier) transmission medium.

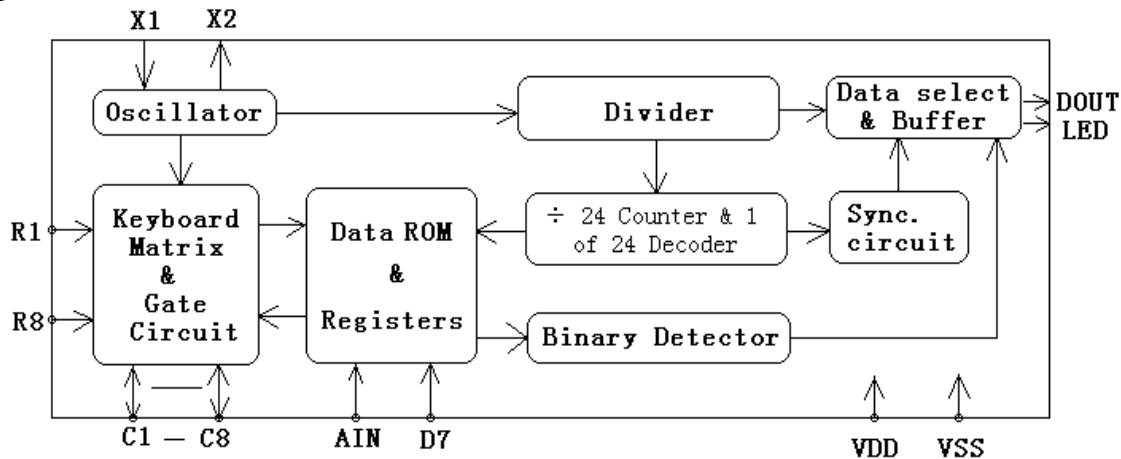
Applications

- Television and video cassette recorder controllers
- Burglar alarm systems
- Smoke and fire alarm systems
- Garage door controllers
- Car door controllers
- Car alarm systems
- Security systems
- Other remote control systems

Features

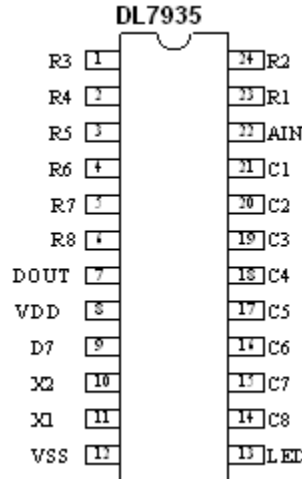
- Operating voltage: 1.6~3.6V
- DOUT with 38KHz carrier for IR medium
- Low standby current
- Minimum transmission word: one word
- 455KHz ceramic resonator or crystal
- 16- bit address codes
- 8-bit data codes
- PPM code method
- Three double-active keys
- Maximum active keys
 - DL7935: 64 keys
- Low power and high noise immunity CMOS technology
- DL7935: 24-pin SOP package

Block Diagram:





Pin Assignment:



Pin Description:

DL7935 PIN No.	Pin Name	NO.	DESCRIPTION
1	R3	I	Row control for keyboard matrix (active high)
2	R4	I	Row control for keyboard matrix (active high)
3	R5	I	Row control for keyboard matrix (active high)
4	R6	I	Row control for keyboard matrix (active high)
5	R7	I	Row control for keyboard matrix (active high)
6	R8	I	Row control for keyboard matrix (active high)
7	DOUT	O	Serial data output with 38 KHZ carrier
8	VDD	P	Positive power supply
9	D7	I	Data code D7 setting
10	X2	O	455 KHz resonator oscillator output
11	X1	I	455 KHz resonator oscillator input
12	VSS	P	Negative power supply
13	LED	O	Indicator LED output
14	C8	I/O	Column control for keyboard matrix
15	C7	I/O	Column control for keyboard matrix
16	C6	I/O	Column control for keyboard matrix
17	C5	I/O	Column control for keyboard matrix
18	C4	I/O	Column control for keyboard matrix
19	C3	I/O	Column control for keyboard matrix
20	C2	I/O	Column control for keyboard matrix
21	C1	I/O	Column control for keyboard matrix
22	AIN	I	Low byte of custom codes (8 bits) scan input
23	R1	I	Row control for keyboard matrix (active high)
24	R2	I	Row control for keyboard matrix (active high)



深圳市晶峰达电子科技有限公司

东莞市琪芯电子有限公司

电话: 13798528768, 0769-85338927, 传真: 85338927
 邮箱: info@jfd-ic.com, QQ: 402431824
 网址: www.jfd-ic.com MSN: aleafuyzf@hotmail.com

DL7935

Multi-Purpose Encoders

Electronic characteristics:

ITEM	SYMBOL CONDITION		MIN.	TYPE	MAX.	UNIT
Supply voltage	VDD		1.6	3.0	3.6	V
Stand-by currant (Oscillator OFF)	ISB	VDD=3.0V	-	-	5.0	uA
Operating current (Oscillator ON)	IOP	VDD=3.0V No lead	-	60	100	uA
Driving current (DOUT)	IOH1	VDD=3.0V VO=1.5V	-	250	-	uA
Sinking current (DOUT)	IOL1	VDD=3.0V VO=0.3V	-	800	-	uA
Driving current (LED)	IOH2	VDD=3.0V VO=2.7V	-	-70	-	uA
Sink current (LED)	IOL2	VDD=3.0V VO=0.3V	-	3.8	-	mA
Driving current (C1/C8)	IOH3	VDD=3.0V VO=2.7V	-1.0	-2.0	-	mA
Sinking current (C1/C8)	IOL3	VDD=3.0V VO=0.3V	20	25	-	uA
Input HIGH voltage(R1-R8)	VIH1	VDD=3.0V	1.9	-	3.0	V
Input LOW voltage (R1-R8)	VIL1	VDD=3.0V	0	-	0.8	V
Input HIGH voltage(C1-C8)	VIH2	VDD=3.0V	1.0	-	3.0	V
Input LOW voltage (C1-C8)	VIL2	VDD=3.0V	0	-	0.5	V
Input HIGH voltage (AIN)	VIH3	VDD=3.0V	1.25	-	3.0	V
Input LOW voltage (AIN)	VIL3	VDD=3.0V	0	-	0.5	V
Pull LOW resistor (AIN)	RPL1	-	-	240K	-	Ω
Pull HIGH resistor (AIN)	RPH	-	-	290K	-	Ω
Pull LOW resistor (R1-R8)	RPL2	-	-	300K	-	Ω
Pull LOW resistor (C1-C8)	RPL3	-	-	900K	-	Ω
System frequence (X2)	Fosc	Resonator 455 KHz	-	455	-	KHz

Absolute maximum ratings:

Supply Voltage V_{SS} -0.3V to V_{SS} +6V

Storage Temperature -50°C to 125°C

Input Voltage V_{SS} -0.3V to V_{DD} +0.3V

Operating Temperature..... -20°C to 75°C

Note: These are stress ratings only. Stresses exceeding the range specified under “ Absolute Maximum Ratings ”may cause substantial damage to the device. Functional operation of this device at other conditions beyond those listed in the specification is not implied and prolonged exposure to extreme conditions may affect device reliability.

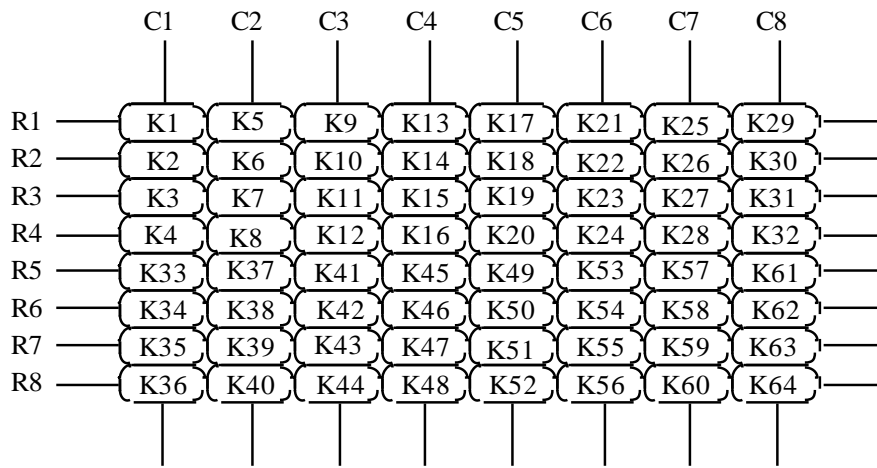


Functional Description

Keyboard scan

The DL7935 remain in the halt mode during the standby state (at this time, the oscillator stops, and the standby current $<1\mu A$). The DL7935 has 64 active keys. The keyboard forms of the DL7935 are shown below.

◆ The DL7935 keyboard form:



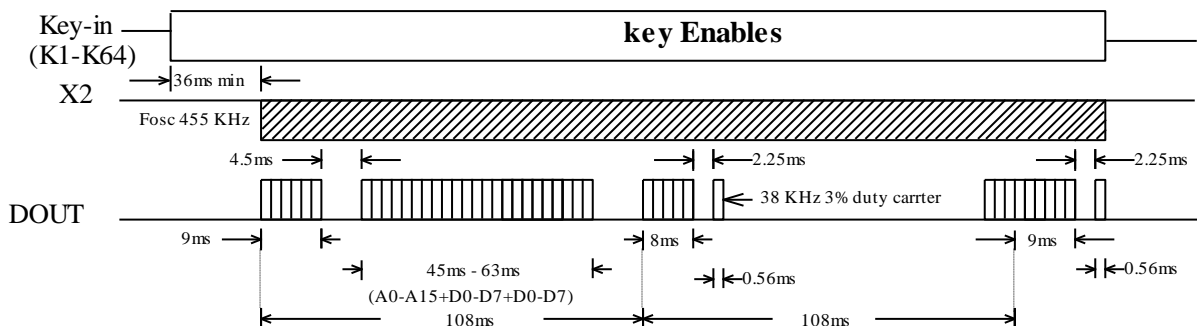
when one of the keys (64 keys) is triggered for over 36ms, the oscillator is enabled and the chip is activated. If the key is pressed and held for 108ms or less, the 108ms transmission codes are enabled and comprised of a header code (9ms), and off code (4.5ms), low byte address codes (9ms~18ms), high byte address codes (9ms~18ms), 8-bit data codes (9ms~18ms), and the inverse codes of the 8-bit data codes (18ms~9ms). After the pressed key is held for 108ms, if the key is still held down, the transmission codes turn out to be a composition of header (9ms) and off codes (2.5ms) only.

To avoid mistakes made by keyboard scanning or simultaneous two-key inputs (except for the three double-key active functions (K21+K22, K21+K23, and K21+K24), the DL7935 are facilitated with 36ms starting time.

The DL7935 also provide three double-key active functions (K21+K22, K21+K23, and K21+K24) for tape deck recording operations. The double-key operation rules are shown in timing 4 and timing 6.

Transmission codes

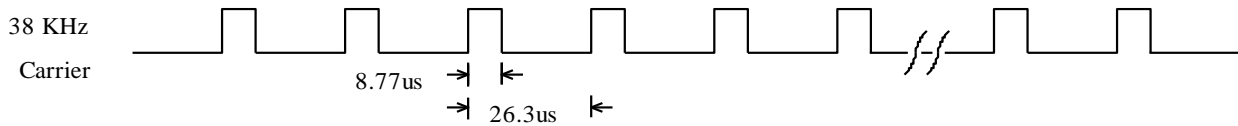
The transmission codes of the DL7935 consist of a 9ms header code, a 4.5ms off code, 16-bit address codes (18ms~36ms), 9ms~18ms 8-bit data codes, and the inverse code of the 8-bit data codes. The following is an illustration of the transmission codes:





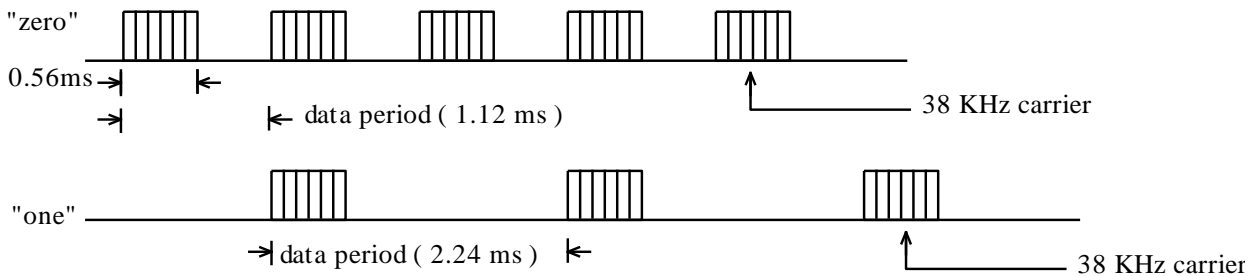
Output format for the DOUT

The output code carrier of the DOUT pin is shown in Timing 2:



38 KHz carrier form

The transmission codes employ the PPM (Pulse Position Modulation) method to represent their two logic states by bit-0 (1.12 ms) and bit-1 (2.24 ms):



Logic states

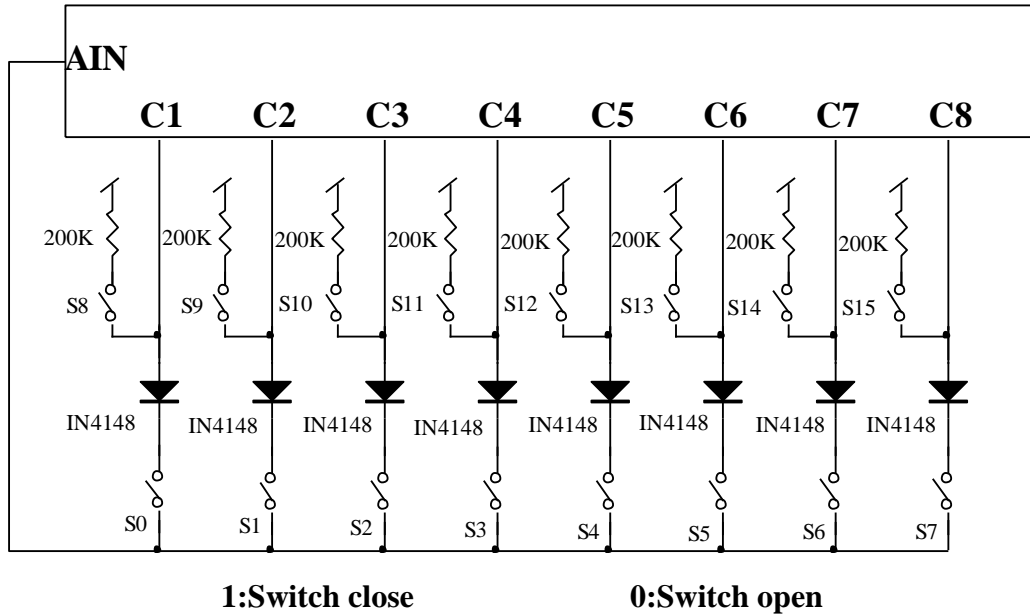
Setting the address codes (A0...A15)

The algorithm rule of the custom codes (A0~A15) can be selected by mask option.

In this case, the 16-bit on-chip MASK ROM (ROM1 and ROM2) are available, and the value of ROM1(8 bits) and ROM2 (8 bit) are decided by one MASK LAYER. The current value of ROM1 and ROM2 are both "00H". The A0~A7 are set by logical OR between the external switch S0~S7 and the ROM1. The A8~A15 equal some bits inverted to A0~A7, the inversion are decided by logical OR between the external switch S8~S15 and the ROM2.

For example:

The following is an illustration of these rules in selecting the address codes (A0~A15).



External switch S0---S15: →

1	0	0	0	1	1	0	0
---	---	---	---	---	---	---	---

 |

1	0	1	0	0	1	0	0
---	---	---	---	---	---	---	---

On chip ROM1,ROM2: →

0	0	0	0	0	0	0	0
---	---	---	---	---	---	---	---

 |

0	0	0	0	0	0	0	0
---	---	---	---	---	---	---	---

bit0 ----- bit7 bit0 ----- bit7

S0--S7 OR ROM1

A0--A7: →

1	0	0	0	1	1	0	0
---	---	---	---	---	---	---	---

S8--S15 OR ROM2

A8' --A15': →

1	0	1	0	0	1	0	0
---	---	---	---	---	---	---	---

A0 A1 A2 A3 A4 A5 A6 A7

A8--A15: →

1	1	0	1	0	1	1	1
---	---	---	---	---	---	---	---

Complement
1: non-inversion
0: inversion

*** Values of the data codes (D0~D7)**

The DL7935 contain 64 active keys, respectively. Each key corresponds to a data code. For tape deck recording, the DL7935 provide three double-key functions. The double-key, single-key, and double-key operation rules are shown in Table 3, Table 4, Timing 4, Timing 5 and Timing 6.

Table 3: Double-key data code table

KEY	Data Codes D0~D6	Data Code D7
K21+K22	1010110	0/1
K22+K23	0110110	0/1
K21+K24	1110110	0/1

Note: D7 is defined by an external switch

Table 4: K1~K64 single-key data code table

KEY	Data Codes D0~D6	Data Code D7	KEY	Data Codes D0~D6	Data Code D7
K1	0000 000	0/1	K33	0000 001	0/1
K2	1000 000	0/1	K34	1000 001	0/1



DL7935

Multi-Purpose Encoders

K3	0100 000	0/1	K35	0100 001	0/1
K4	1100 000	0/1	K36	1100 001	0/1
K5	0010 000	0/1	K37	0010 001	0/1
K6	1010 000	0/1	K38	1010 001	0/1
K7	0110 000	0/1	K39	0110 001	0/1
K8	1110 000	0/1	K40	1110 001	0/1
K9	0001 000	0/1	K41	0001 001	0/1
K10	1001 000	0/1	K42	1001 001	0/1
K11	0101 000	0/1	K43	0101 001	0/1
K12	1101 000	0/1	K44	1101 001	0/1
K13	0011 000	0/1	K45	0011 001	0/1
K14	1011 000	0/1	K46	1011 001	0/1
K15	0111 000	0/1	K47	0111 001	0/1
K16	1111 000	0/1	K48	1111 001	0/1
K17	0000 100	0/1	K49	0000 101	0/1
K18	1000 100	0/1	K50	1000 101	0/1
K19	0100 100	0/1	K51	0100 101	0/1
K20	1100 100	0/1	K52	1100 101	0/1
K21	0010 100	0/1	K53	0010 101	0/1
K22	1010 100	0/1	K54	1010 101	0/1
K23	0110 100	0/1	K55	0110 101	0/1
K24	1110 100	0/1	K56	1110 101	0/1
K25	0001 100	0/1	K57	0001 101	0/1
K26	1001 100	0/1	K58	1001 101	0/1
K27	0101 100	0/1	K59	0101 101	0/1
K28	1101 100	0/1	K60	1101 101	0/1
K29	0011 100	0/1	K61	0011 101	0/1
K30	1011 100	0/1	K62	1011 101	0/1
K31	0111 100	0/1	K63	0111 101	0/1
K32	1111 100	0/1	K64	1111 101	0/1

Note: D7 is defined by an external switch

D7=0: connect to VDD

D7=1: connect to VSS



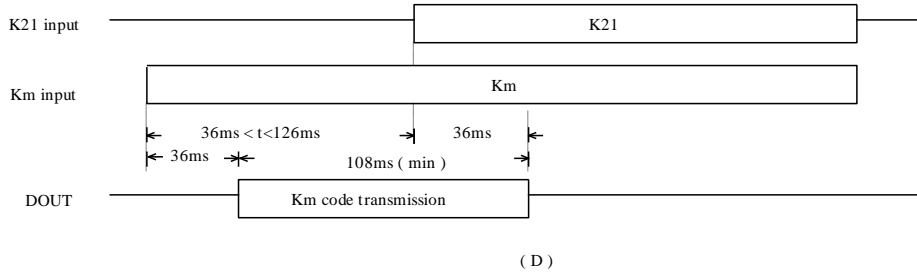
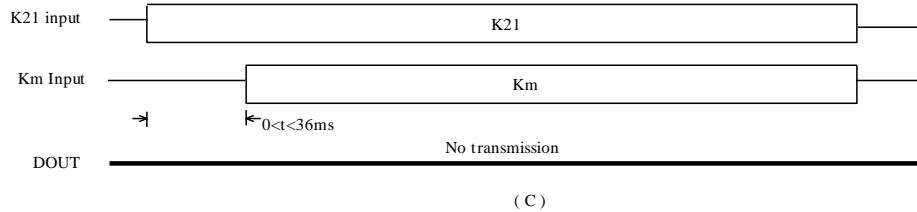
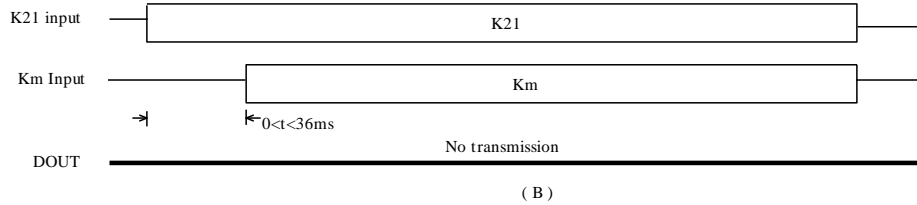
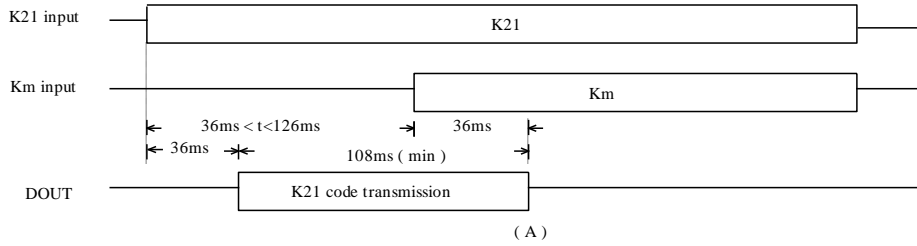
深圳市晶峰达电子科技有限公司

东莞市琪芯电子有限公司

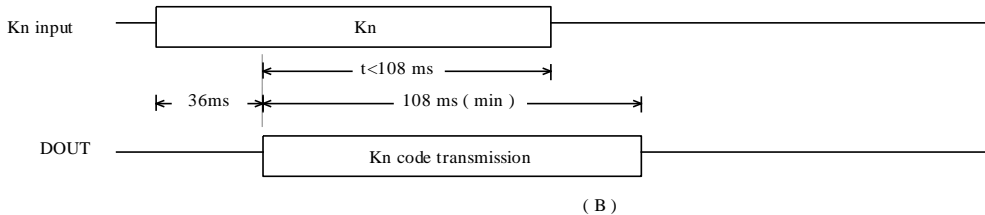
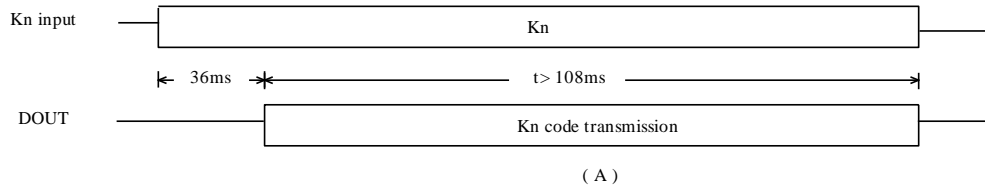
电话: 13798528768, 0769-85338927, 传真: 85338927
 邮箱: info@jfd-ic.com, QQ: 402431824
 网址: www.jfd-ic.com MSN: aleafuyzf@hotmail.com

DL7935

Multi-Purpose Encoders



Invalid double-key input



Note: Kn can be one of K1-K64

Valid single-key input



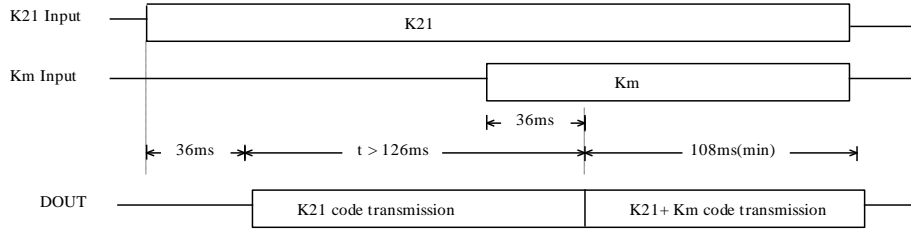
深圳市晶峰达电子科技有限公司

东莞市琪芯电子有限公司

电话: 13798528768, 0769-85338927, 传真: 85338927
 邮箱: info@jfd-ic.com, QQ: 402431824
 网址: www.jfd-ic.com MSN: aleafuyzf@hotmail.com

DL7935

Multi-Purpose Encoders



Note: Km can be one of K22-K24

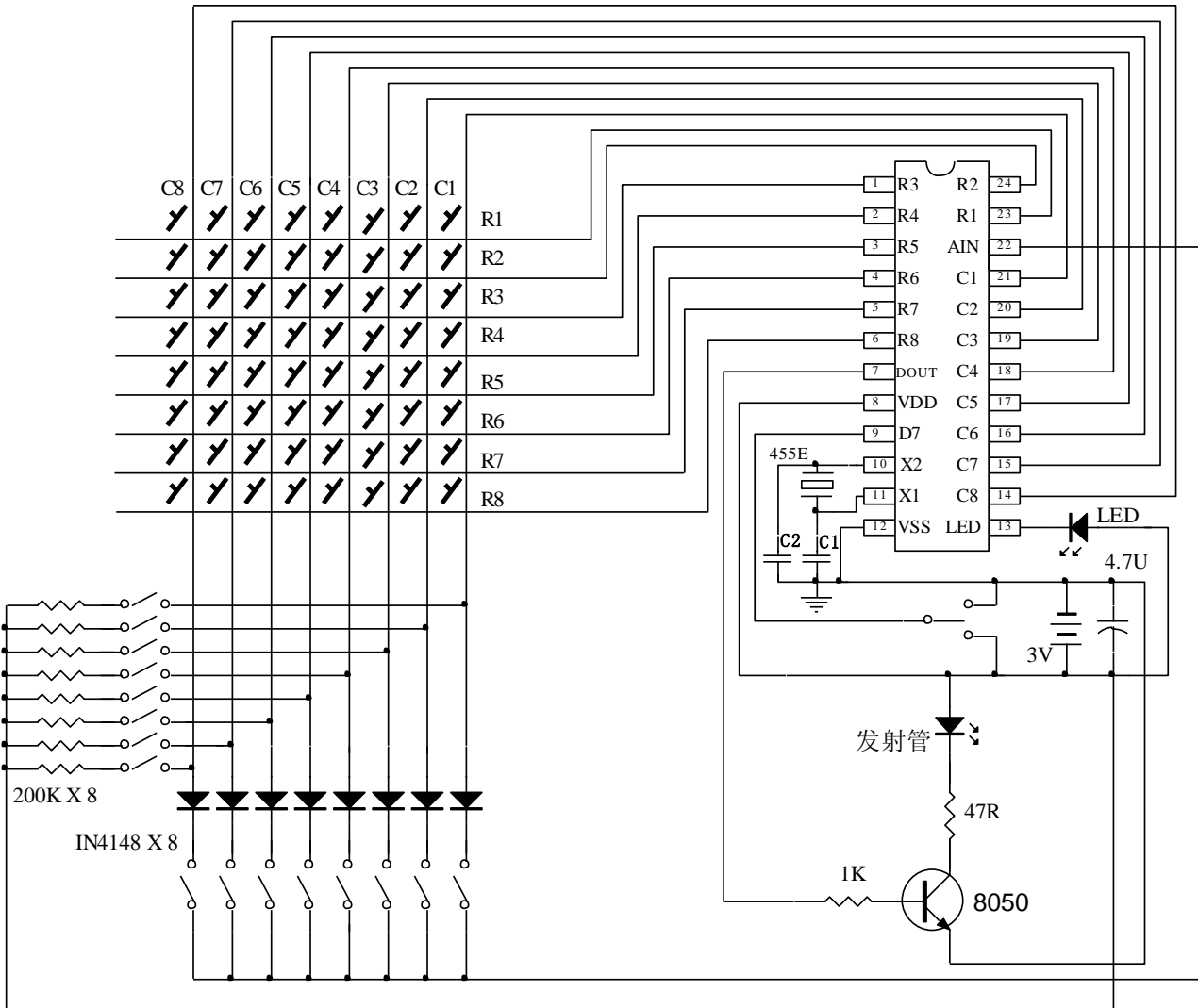
Valid double-key input

DOUT and LED

After the transmission codes are sent, the DOUT pin generates transmission codes with a carrier, and the LED goes low to drive a transmission indicator.

Application Circuits

Application Circuit 1





深圳市晶峰达电子科技有限公司

东莞市琪芯电子有限公司

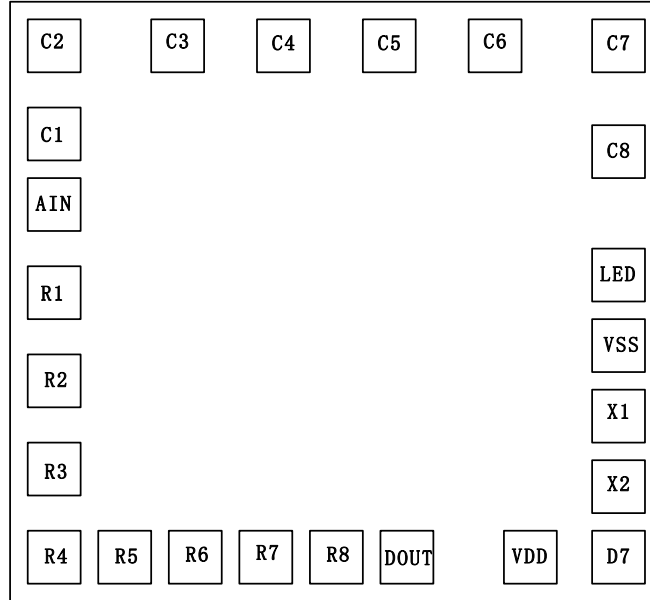
电话: 13798528768, 0769-85338927, 传真: 85338927
 邮箱: info@jfd-ic.com, QQ: 402431824
 网址: www.jfd-ic.com MSN: aleafuyzf@hotmail.com

DL7935

Multi-Purpose Encoders

★: C1、C2 的电容值为 220P~300P; 典型值为: 220P。

PAD 脚位图



IC 衬底悬空

PAD 坐标

序号	名称	X	Y	序号	名称	X	Y
1	C2	29.00	971.00	13	VDD	911.00	29.00
2	C3	246.90	971.00	14	DOUT	683.40	29.00
3	C4	429.30	971.00	15	R8	553.40	29.00
4	C5	642.50	971.00	16	R7	423.40	29.00
5	C6	824.90	971.00	17	R6	293.40	29.00
6	C7	1041.00	971.00	18	R5	163.40	29.00
7	C8	1041.00	782.00	19	R4	29.00	29.00
8	LED	1041.00	554.60	20	R3	29.00	192.10
9	VSS	1041.00	424.60	21	R2	29.00	322.10
10	X1	1041.00	294.60	22	R1	29.00	452.10
11	X2	1041.00	164.60	23	AIN	29.00	636.00
12	D7	1041.00	29.00	24	C1	29.00	766.00